

# FACILITRON

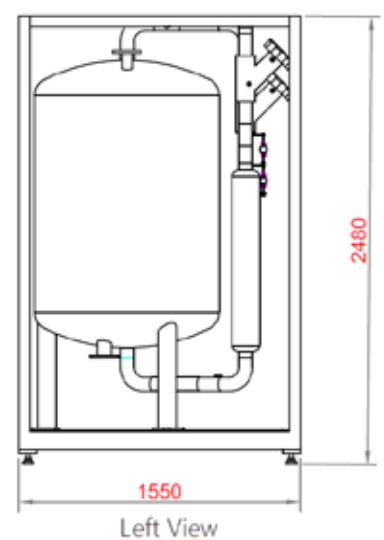
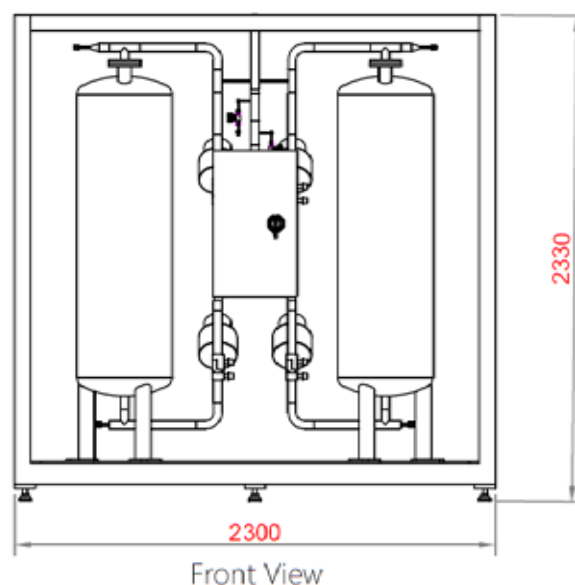
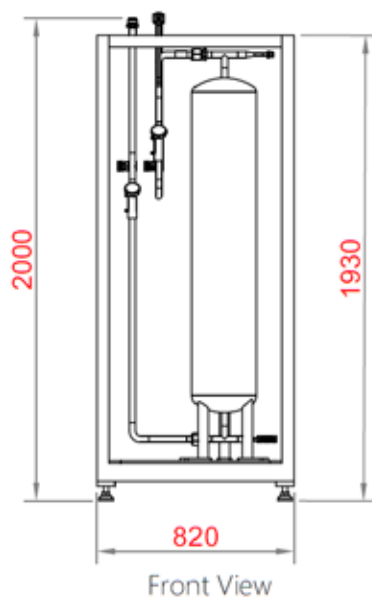
## The Bulk Ambient Gas Dryers and Purifiers

The FACILITRON series product is a gas purifier that uses Catalyst / Molecular Sieve technology with an open frame skid and build with inlet and outlet isolation valves. It is a purification system capable of processing gas at large flow rates, product ranging from 100 Nm<sup>3</sup>/hr to 3,000 Nm<sup>3</sup>/hr. It is applied specifically by gas plants that require purification of gases at large flow rates without power.

This purifier is capable of performing the purification process at room temperature to remove H<sub>2</sub>O, O<sub>2</sub>, H<sub>2</sub>, CO and CO<sub>2</sub> while delivering ppb-level purification performance.

### Applications:

- High production rate weld gas and purge gas.
- Glove box purge gas
- Additive manufacturing
- Annealing cover gas
- Large flow ultra-high purity applications



**FC1 Platform, The Ambient Bulk Gas Purifier**

Platform No.	Gases Purified	Impurities Removed	Performance	Range of Flow Rate	Maximum Pressure Drop @ 6.9 Barg inlet gas pressure
FC1-XXSC/DC-N2	N2	H2O, O2, H2, CO, CO2,	>9N Purity	100 ~ 3,000 Nm3/Hr.	< 1 bar
FC1-XXSC/DC-Ar	Ar	H2O, O2, H2, CO, CO2,	>9N Purity	100 ~ 3,000 Nm3/Hr.	< 1 bar
FC1-XXSC/DC-He	He	H2O, O2, H2, CO, CO2,	>9N Purity	100 ~ 3,000 Nm3/Hr.	< 1 bar
FC1-XXSC/DC-H2	H2	H2O, O2, CO, CO2,	>9N Purity	100 ~ 3,000 Nm3/Hr.	< 1 bar
FC1-XXSC/DC-O2	O2	H2O, H2, CO, CO2,	>9N Purity	100 ~ 3,000 Nm3/Hr.	< 1 bar
FC1-XXSC/DC-CDA	CDA	H2O, H2, CO, CO2,	>9N Purity	100 ~ 3,000 Nm3/Hr.	< 1 bar

Note:

SC: Single Column; DC: Dual Columns.

**FC2 Platform, The Ambient Bulk Gas Dryer**

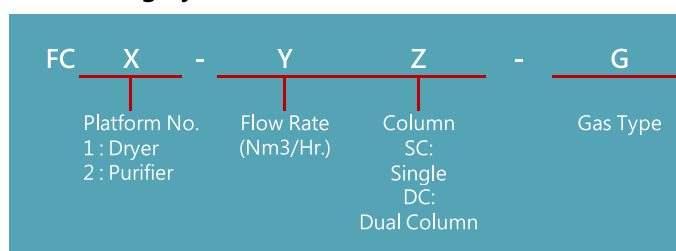
Platform No.	Gases Purified	Impurities Removed	Performance	Range of Flow Rate	Maximum Pressure Drop @ 6.9 Barg inlet gas pressure
FC2-XXSC/DC-N2	N2	H2O	< 1 ppbv	100 ~ 3,000 Nm3/Hr.	< 1 bar
FC2-XXSC/DC-Ar	Ar	H2O	< 1 ppbv	100 ~ 3,000 Nm3/Hr.	< 1 bar
FC2-XXSC/DC-He	He	H2O	< 1 ppbv	100 ~ 3,000 Nm3/Hr.	< 1 bar
FC2-XXSC/DC-H2	H2	H2O	< 1 ppbv	100 ~ 3,000 Nm3/Hr.	< 1 bar
FC2-XXSC/DC-O2	O2	H2O	< 1 ppbv	100 ~ 3,000 Nm3/Hr.	< 1 bar
FC2-XXSC/DC-CDA	CDA	H2O	< 1 ppbv	100 ~ 3,000 Nm3/Hr.	< 1 bar

Note:

SC: Single Column; DC: Dual Columns.

**Optional Features**

- ✓ Manual Bypass Valve.
- ✓ Auto Bypass Valve
- ✓ 0.003µm Particle Filter, Metal or Teflon.
- ✓ Mass Flow Meter with isolated 4-20mA output.
- ✓ Inlet and Outlet Pressure Transmitter with isolated 4-20 mA Output.
- ✓ High Temperature Interlock to shutdown.

**Numbering System****Maintenance**

- Off-line regeneration available for continue use.



芯動能設備股份有限公司

300075 台灣新竹市香山區中華路四段518-1號五樓

TEL.: +886-3-5160267

FAX: +886-3-5160276

Tronic Purity, Inc.

5F, No.518-1, Sec. 4, Zhonghua Rd., Xiangshan Dist.  
Hsin-Chu City, 300075. Taiwan, R.O.C.<http://www.tronicpurity.com>E-mail: [info@tronicpurity.com](mailto:info@tronicpurity.com)